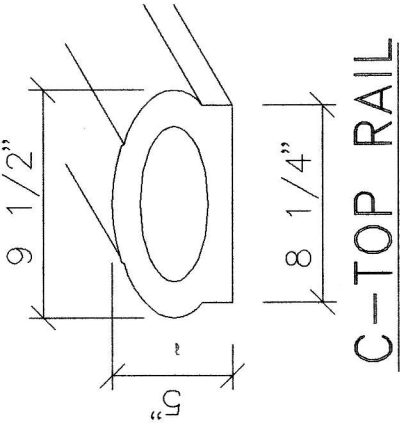
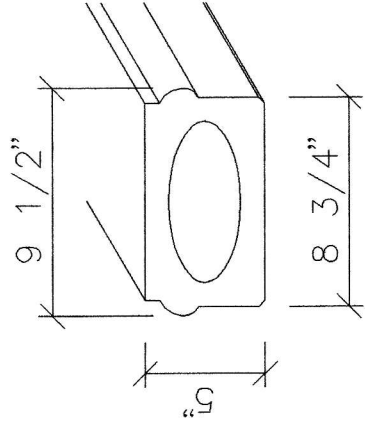


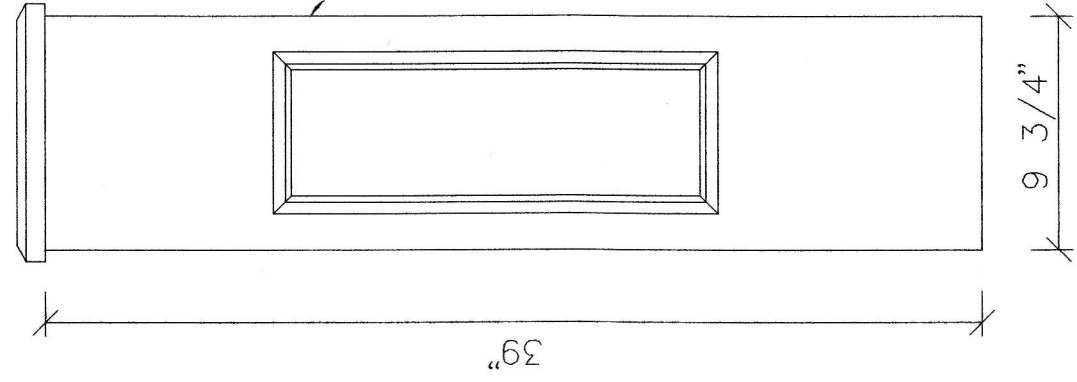
C-1



C-TOP RAIL



C-BOTTOM RAIL



NP-2