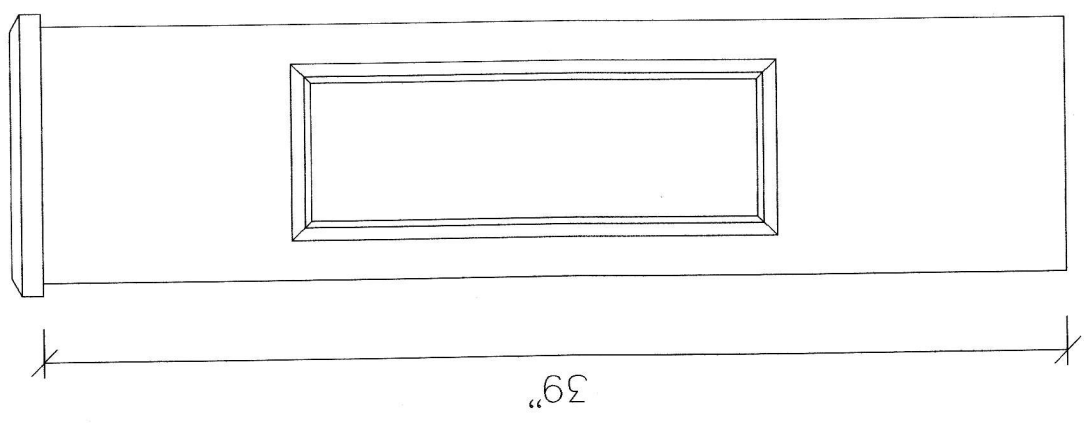
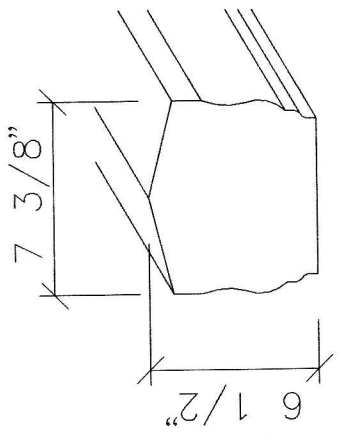


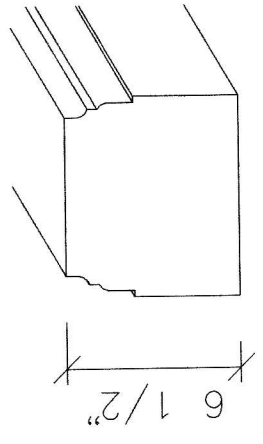
NP-2 ST



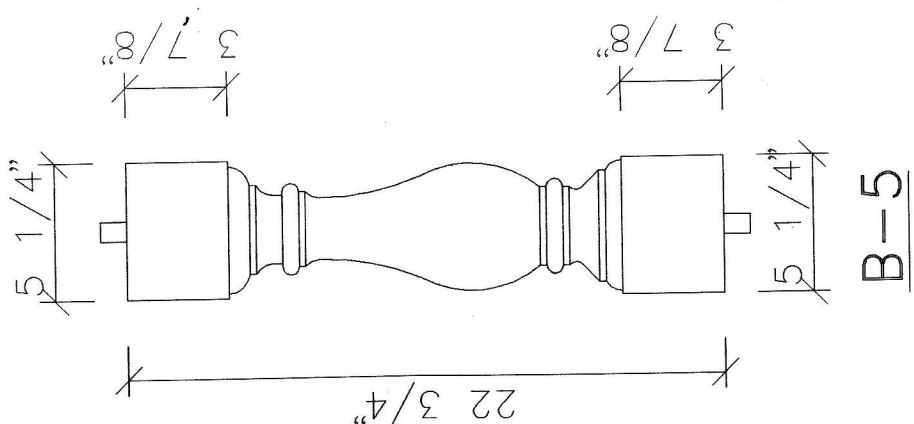
NP-2



B-T RAIL



B-B RAIL



B-5

