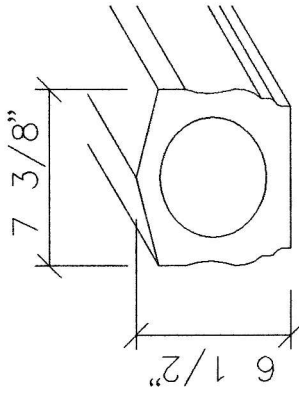
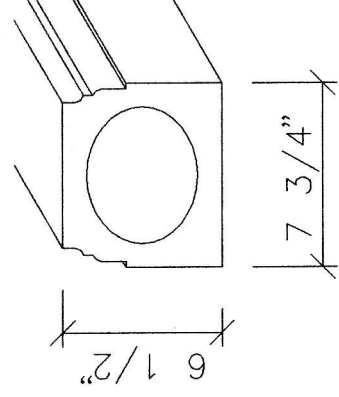


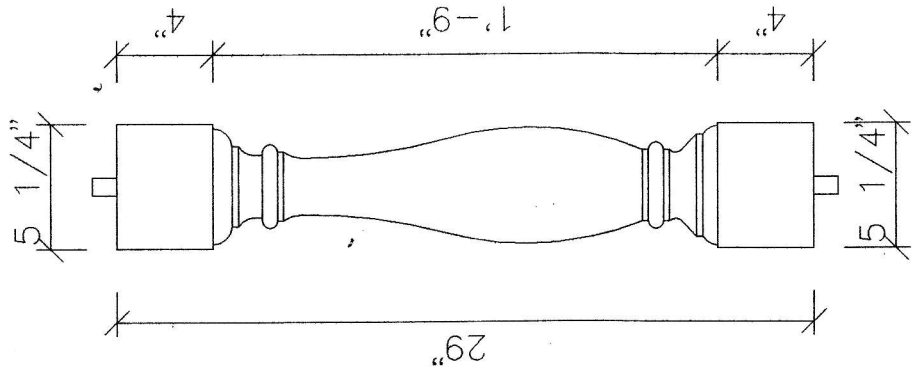
NP-2-42



B-TOP RAIL



B-BOTTOM RAIL



B-5-42